

## 8:8 VGA/AUDIO Matrix Switcher

VGA (RGBHV)/ Stereo Audio Matrix Switcher + IR Remote Control + Rs232 PC Control

### SB-8188



### SB-8188MRM



SB-8188 is a high speed Video Bandwidth 310MHz, Maximum 380 Mhz VGA and Stereo Audio Matrix switcher. Its one of the most innovative VGA/RGBHV/STEREO AUDIO switching products on the market Today. Support 19 inch Ear mount and SB-8188MRM is Rack mount type.

It has 8 individual inputs with 8 individual outputs. Because it is a matrix router, any input may be routed to any output; or the same input may be routed to all outputs or any combination. It completely eliminates the need to constantly move around VGA and Stereo Audio input and output cables.

The SB-8188 matrix switcher is ideally suited for High Definition LCD Television or Plasma display applications. Control is provided via Front pushbuttons with LED readout or IR remote controller. A RS 232 interface is provided for interfacing with third party control. A Windows-based control software package is included to provide complete control of the SB-8188 from a PC.

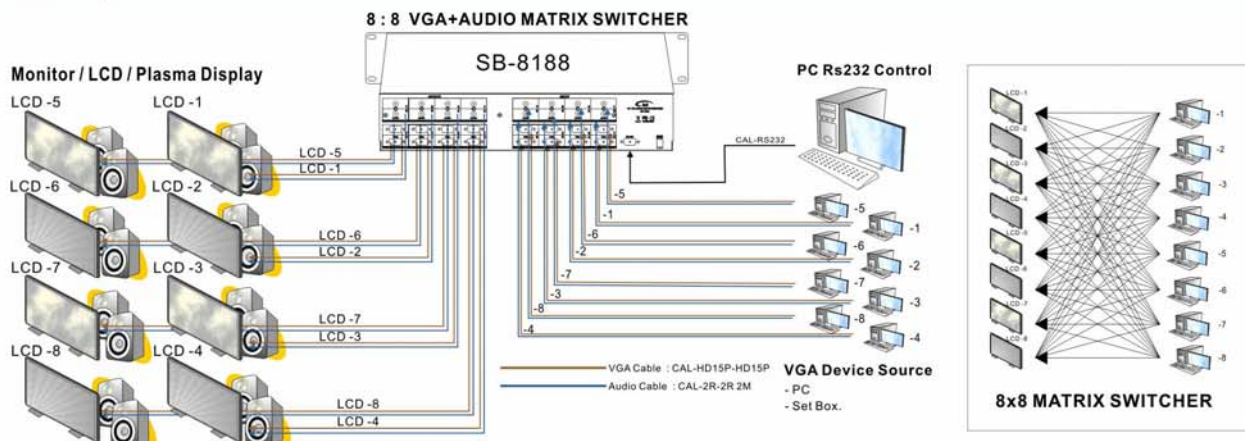
### Key Features

- Support 8 inputs to 8 outputs VGA/Audio Matrix Switcher
- Support PC Resolution VGA (640x480), SVGA (800x600), XGA (1024x768), SXGA (1280x1024), UXGA (1600x1200), WUXGA (1900x1200)
- Video Bandwidth : 380MHz (-3dB), 200 mVp-p
- Excellent Video(VGA-RGBHV) and Stereo Audio Performance
- Audio Frequency Respond : 20Hz ~ 20KHz
- Low all hostile crosstalk of -83 dB @ 5 Mhz
- Excellent ESD rating : exceeds 4000 V
- Switching RGBHV in LCD monitors and plasma displays
- Suitable for High resolution Video player Device and LCD/Prasma displays
- Front pushbuttons with LED readout
- Infrared : IR remote control (38KHz)
- Support RS 232 interface control driver for 95/98/2000/XP
- A Windows-based control software Driver packaged
- RS 232 protocol list with manual attached
- Enclosure type : Support 19 inch Ear & Rack mountable panel
- Support Lower power consumed full load under 550 mA

### Specifications

Type of switcher	8 inputs to 8 outputs VGA Matrix Switcher
Video Bandwidth	380MHz, (-3 dB) 200 mV p-p, 310MHz, (-3 dB) 2V p-p R=325MHz, G=325MHz, B=325MHz, H=110MHz, V=110MHz
Audio Bandwidth	60MHz, (-3dB) (Audio-Right=60MHz, Audio-Lift=60MHz)
Audio Frequency Respond	20Hz ~ 20KHz
Gain Flatness	90 Mhz , 0.1 dB
Differential Gain Error	0.01%, 0.1 dB
Differential Phase Error	0.02°, 0.1 dB (RL=150Ω)
Fast settling time	15ns To 0.1%
All Hostile Crosstalk	-84 db @ 5 Mhz, -54 dB @ 50 Mhz
Channel Crosstalk	-56 db @ 100 Mhz
Slew Rate	1000 V/μs, G=+1.2 V Step
High OFF Isolation	-100 dB@10MHz
Output Current	100 mA
Low power CMOS	550 uA Quiescent Current
Dimensions (W.D.H.)	17.32" (440mm) x 7.80" (200mm) x 3.43" (88mm)
Net Weight (Unit Only)	About 3050 gwm (with metal case)
Power Voltage Input	DC 12V @ 1000 mA or upto ~ 3 A accepted

### Installing



### Order Information

Item Number	Accessories (Packaged)	Part Number	Accessories (non - Packaged)
• SB-8188	8:8 VGA/Audio Matrix Switcher	• CAL-HD15P-15P	VGA Cable: HD15P-HD15P Male
• SB-8188MRM	19 inch Rack mount	• CAL-2R-2R-5M	Audio Cable: RCA-RCA Male-Male L=5M
• MPA-SW1000CAS	Switch Adaptor : 12VDC, @1000mA.		
• CAL-RS232	RS 232 Cable		
• EAR-L440	Ear Mount unit for L=440mm		