

4-in 2-out HDMI Switcher

Operation Manual



Introduction

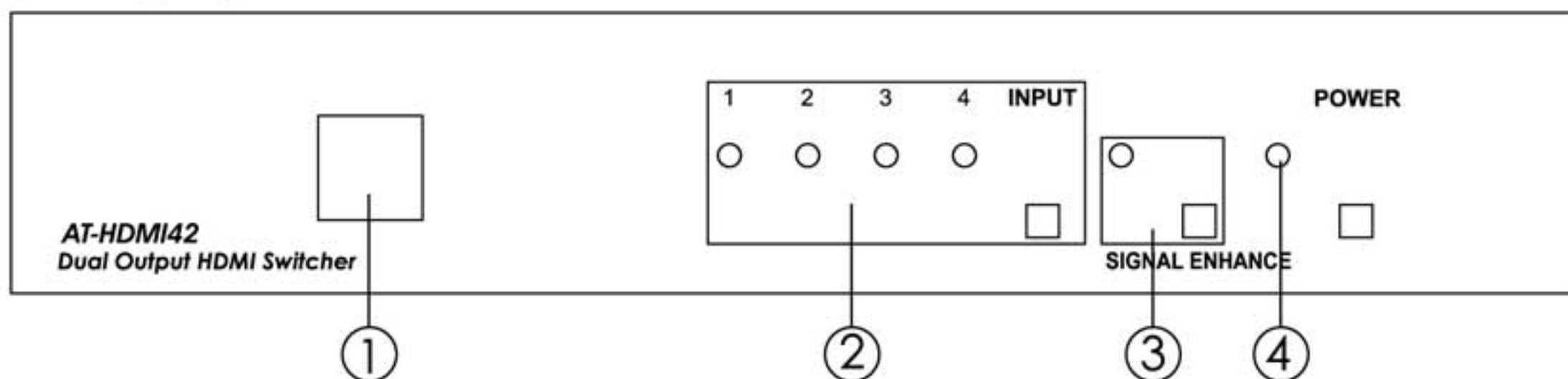
Atlona AT-HDMI42 is a high performance 4-input dual outputs HDMI switcher with remote control. It allows you to connect up to 4 HDMI Sources so they can share two HDMI displays. The two HDMI outputs are identical. Simply pressing one button you can select your desired HDMI source for display on two HDMI TVs simultaneously.

Features

- * HDMI 1.2, HDCP 1.1 and DVI 1.0 compliant.
- * Signal Enhancement feature allows you to improve signal quality after long distance transmission.
- * LED indicators.
- * Ideal for home theater integration, conference room and retail stores.
- * Supports high resolution input:
PC: VGA, SVGA, XGA, SXGA, and UXGA (1600 x 1200) &
HDTV: 480i, 576i, 480p, 576p, 720p, 1080i, and 1080p
- * Remote control.
- * Easy to install and simple to operate.

Operation Controls and Functions

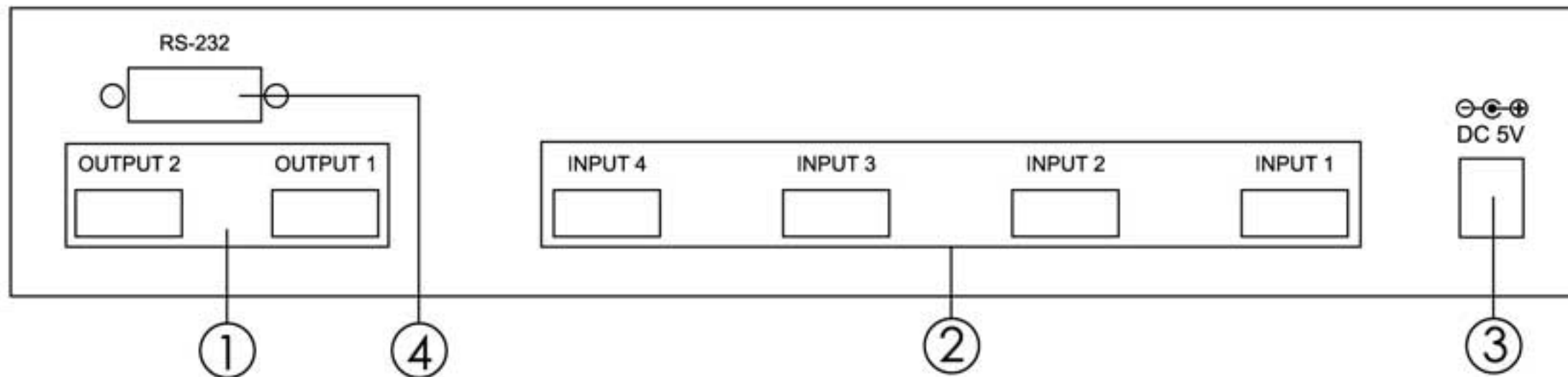
Front Panel



- 1. Remote control sensor.**
- 2. Input select/Indicators:** Press the "INPUT" button repeatedly to switch to your desired input source and the LED will illuminate to indicate which input source is being selected.
- 3. Signal Enhancement/Indicator:** Press the "Signal Enhance" button to turn on this feature to improve signal quality after long distance transmission. Press again to turn off. The LED will illuminate when the signal is enhanced.
- 4. Power LED Indicator:** The LED will illuminate when the power is connected.

Operation Controls and Functions

Rear Panel



- 1. HDMI outputs:** Connect each HDMI output to the HDMI input of your displays using HDMI cable. The two HDMI outputs are identical.
- 2. HDMI inputs:** Connect your various HDMI sources to each of the HDMI input of the unit using HDMI cables.
- 3. Power:** Plug the supplied 5VDC power supply into the unit.
- 4. RS232:** 9-pin D-sub female connector for connecting to your other control console for remote control.

RS-232 Remote Control Protocol

The connection between AT-HDMI42 and remote pc through RS-232 modem cable.

* Command:

Pins definition of modem cable			Remote Controller	
PIN	Definition		PIN	Definition
1	NC	→ ←	1	NC
2	TxD		2	RxD
3	RxD		3	TxD
4	NC		4	NC
5	GND		5	GND
6	NC		6	NC
7	NC		7	NC
8	NC		8	NC
9	NC		9	NC

Command Code	Comment
"I" + "1"	PORT 1 ON
"I" + "2"	PORT 2 ON
"I" + "3"	PORT 3 ON
"I" + "4"	PORT 4 ON
"S" + "1"	ENABLE SIGNAL ENHANCE
"S" + "0"	ENABLE SIGNAL ENHANCE
"P" + "1"	POWER ON
"P" + "0"	POWER OFF

* RS-232 transmission format:

Baud Rate: 9600 bps

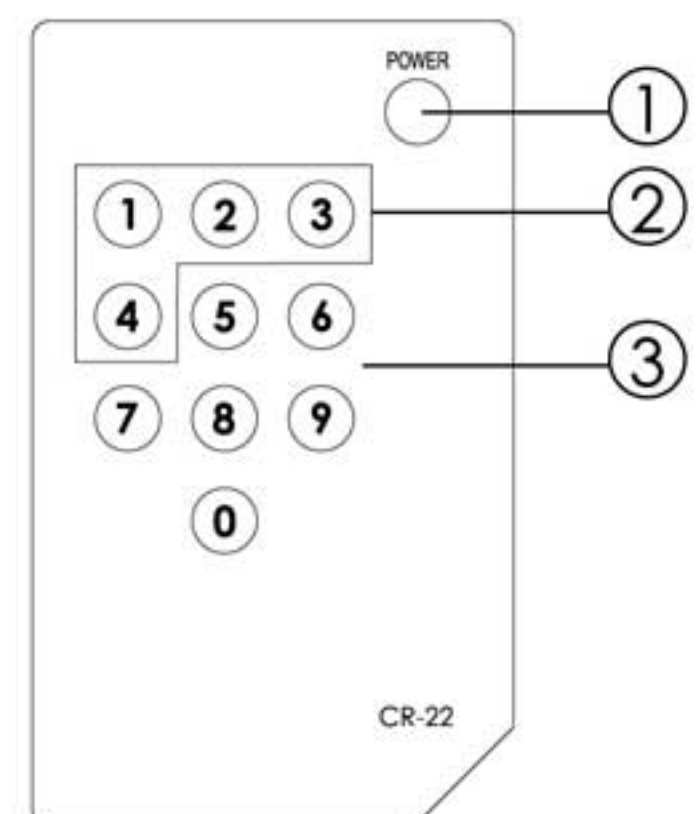
Data Bit : 8 bits

Parity : None

Stop Bit : 1 bit

Remote Control

- 1. Power:**
Press the button to turn on/off the unit.
- 2. Direct input selector:**
Press numerical number button to select your desired input source.
- 3. Void buttons (No function).** If the button number is greater than the total input number of the unit then the button is of no function.



Specifications

- * Frequency bandwidth: 1.65Gbps(single link)
- * Inputs: 4 x HDMI female ports (Type A connector)
- * Outputs: 2 x HDMI female port (Type A connector)
- * 5VDC universal power supply
- * Weight: 0.8kgs
- * Dimension: 240(W) x104(L) x 48(H)mm

Connection and Installation

